

Technical Note

Nikon Ti-E/U Laser Safety Stage Cover Installation Instructions

This document describes how to install this risk mitigation device to reduce access to laser radiation.

1. Holding the stage cover against the light arm, slide the mounting bracket into position and secure using the fixing screws provided
2. Lower the stage cover until it is approximately 2mm above the stage
3. Lock the stage cover in position using the mounting bracket's integral thrust screws

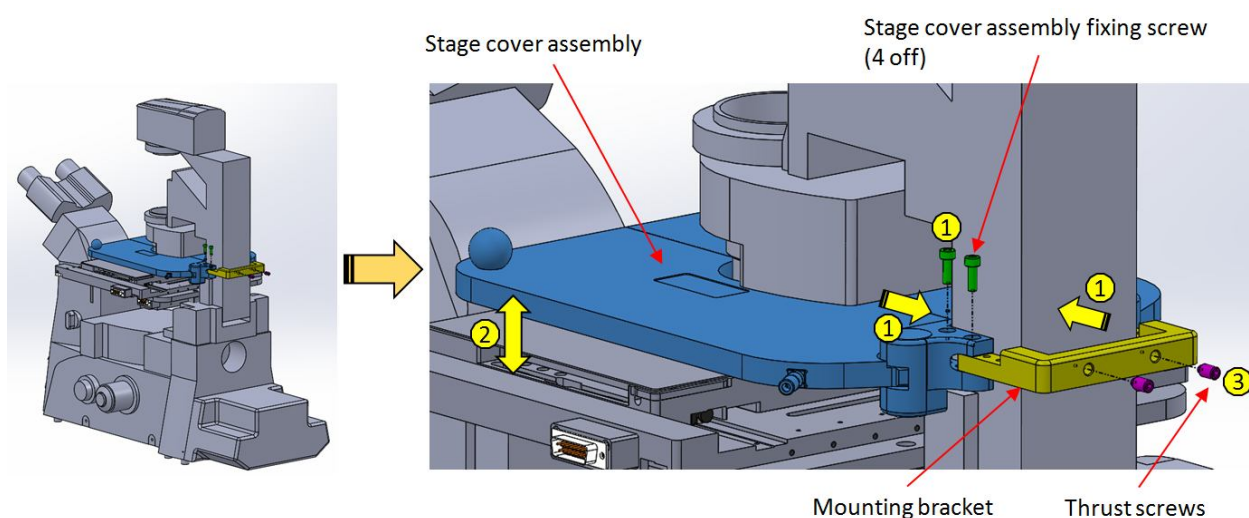


Figure 1: Stage Cover Mounting

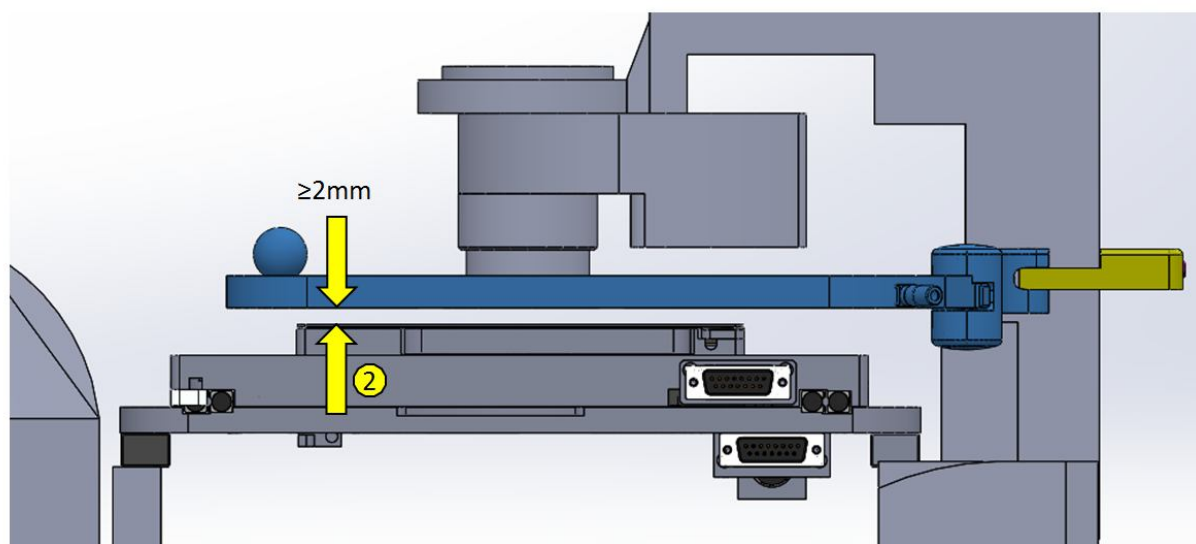


Figure 2: Stage Cover Positioning

4. Check that the condenser can be focused to produce Kohler illumination and still remain clear of the stage cover
5. Ensure that the stage cover can open freely
6. Get the External Interlock Cable (ASE-11399) out its bag, which was taped to the bottom of the stage cover
7. Connect the External Interlock Cable (ASE-11399) into the stage cover as shown overleaf



Figure 3: External Interlock Cable (ASE-11399) in Bag Underneath Stage Cover and Connected

8. Locate the section of interlock cable loom connected to your microscope, for example:

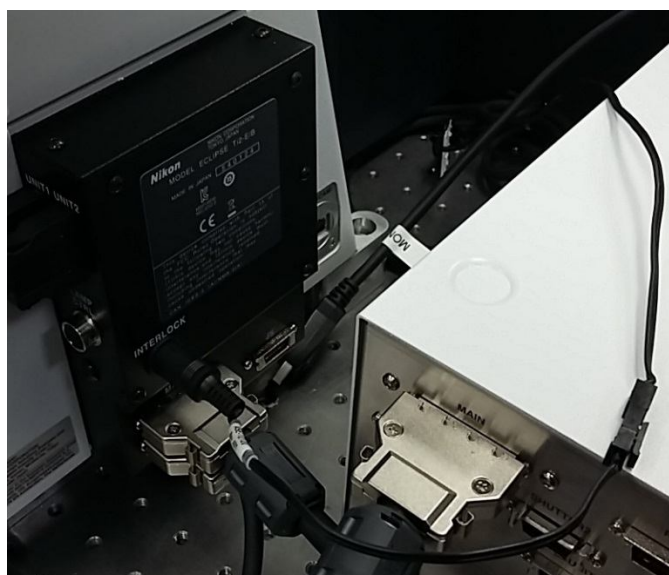


Figure 4: Nikon Ti2-E Interlock Connection

9. Disconnect the nearest Micro-Fit connection and connect the External Interlock Cable (ASE-11399) into this opening in the interlock cable loom as shown below:

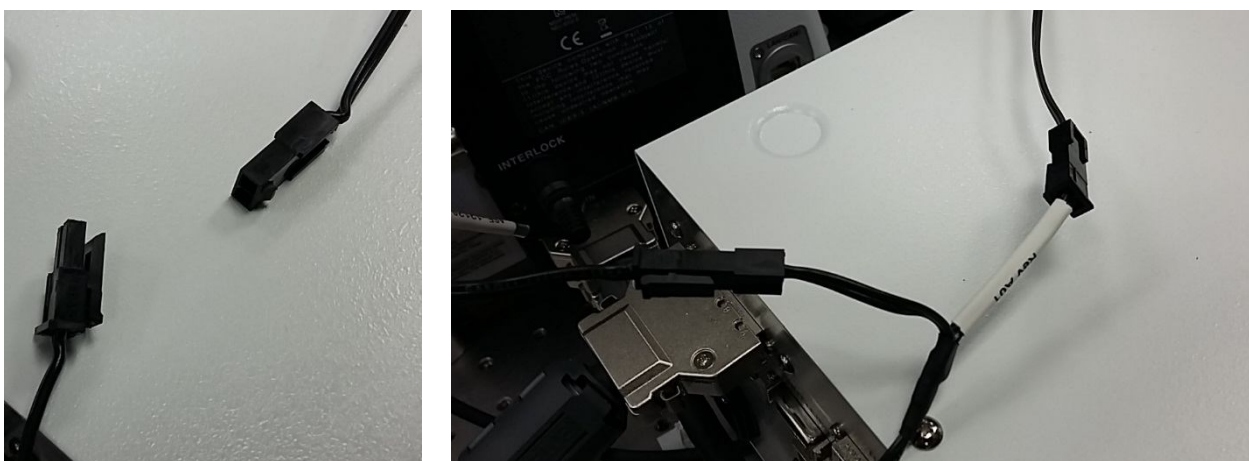


Figure 5: External Interlock Cable (ASE-11399) Connected into Interlock Cable Loom

10. Test the interlock system using the 'Guidelines for Safe Operation of Laser Products' in your Hardware Guide